



Instruction Manual
Model#RK-23

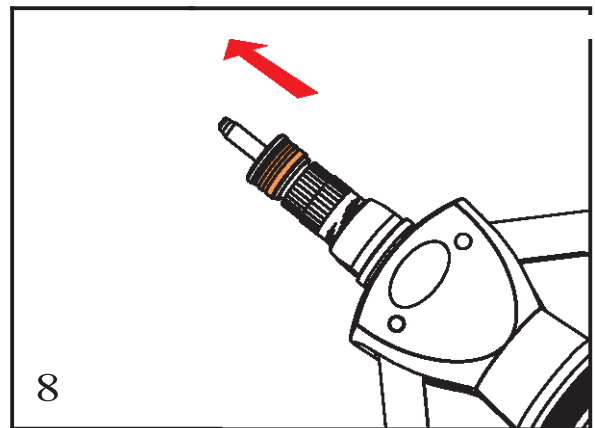
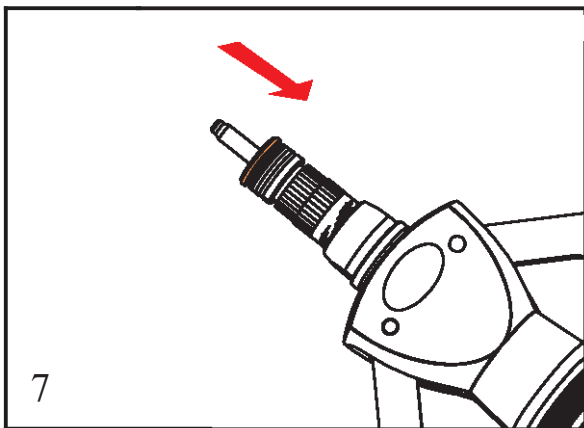
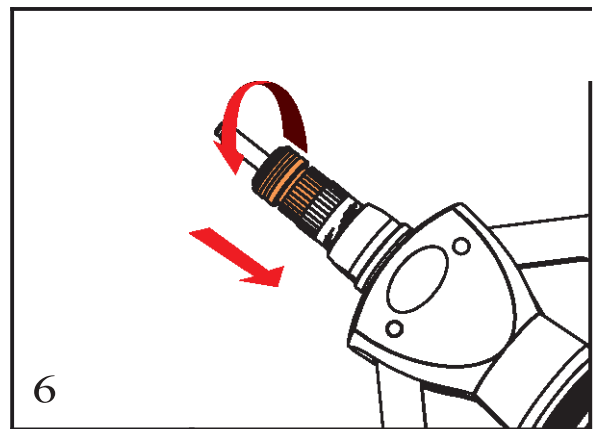
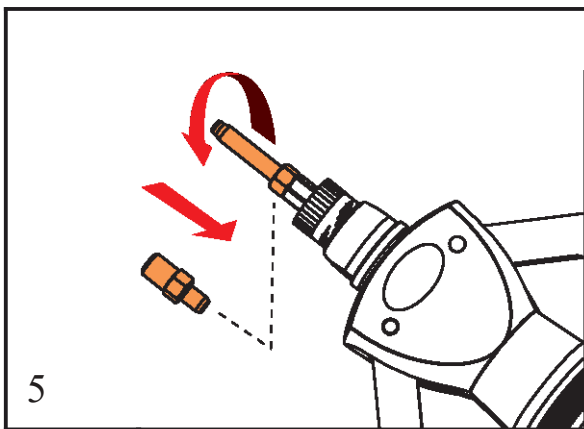
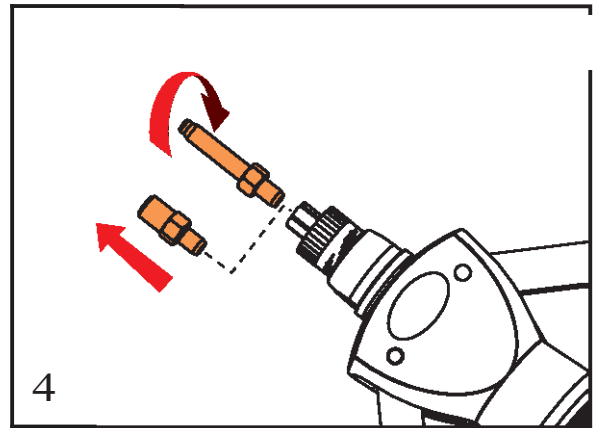
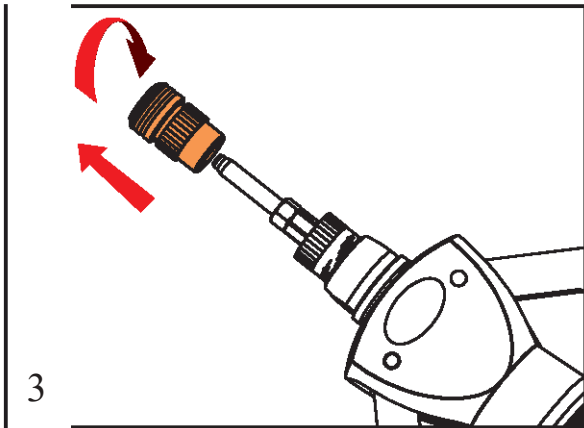
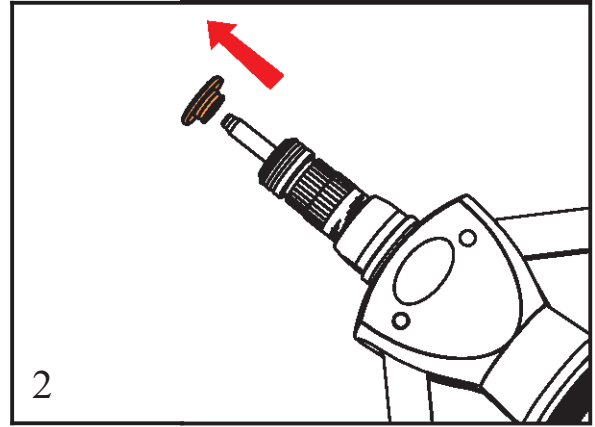
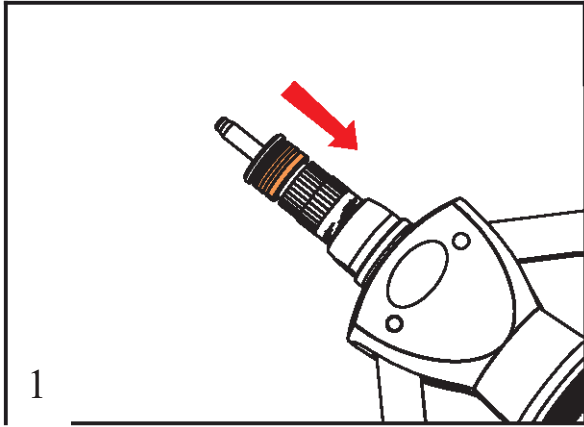


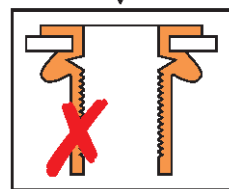
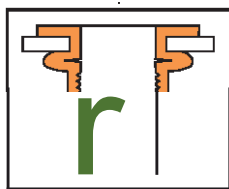
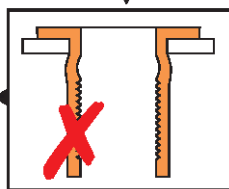
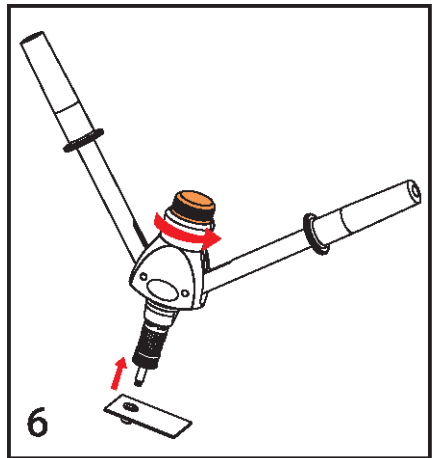
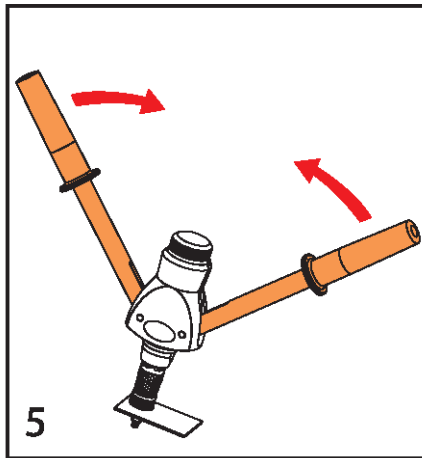
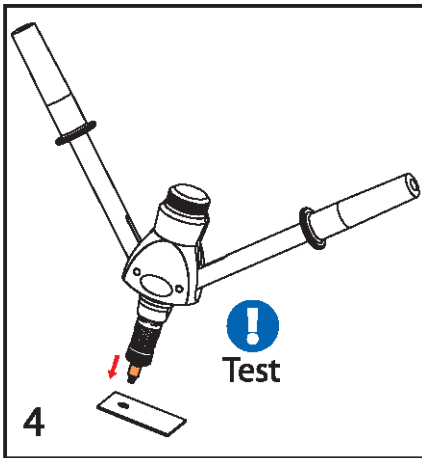
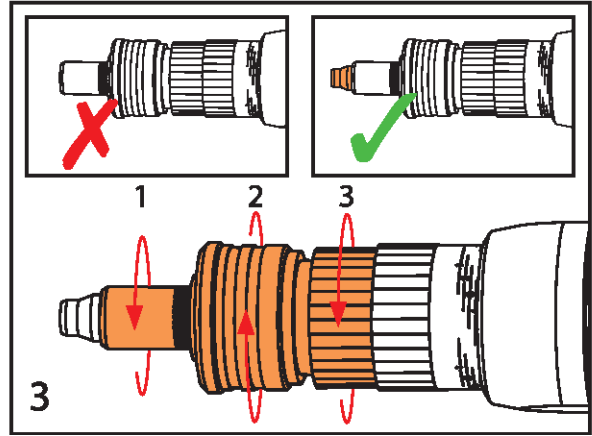
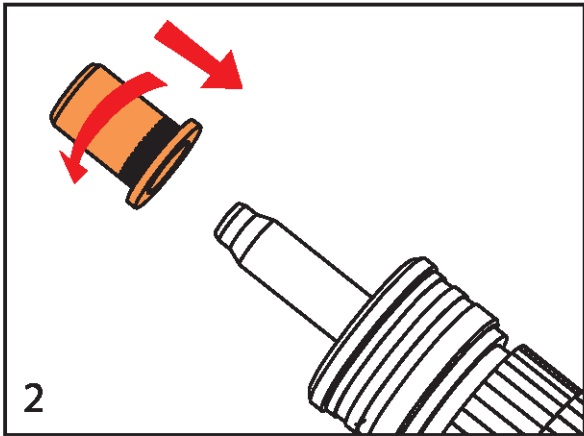
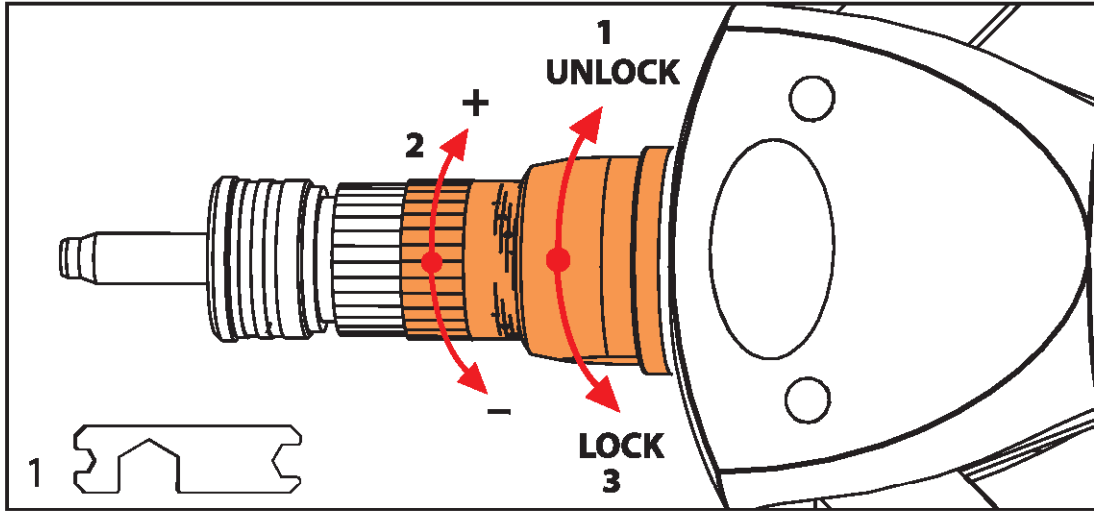
For sales, service or support call your local distributor or:

1800-BUY-RIVET or 1-800-289-7483

www.rivet.com

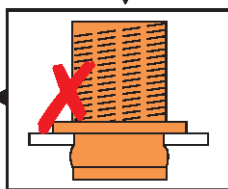
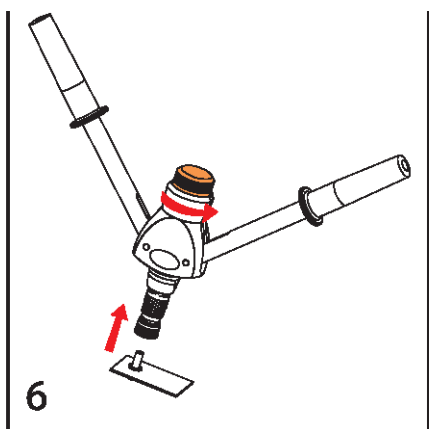
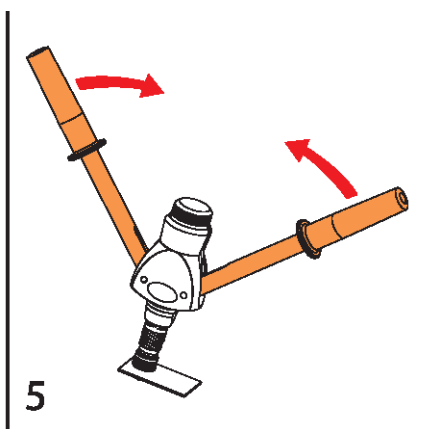
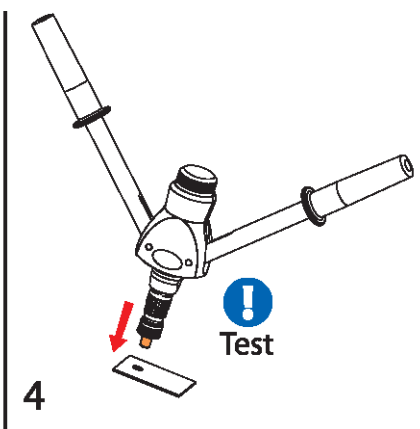
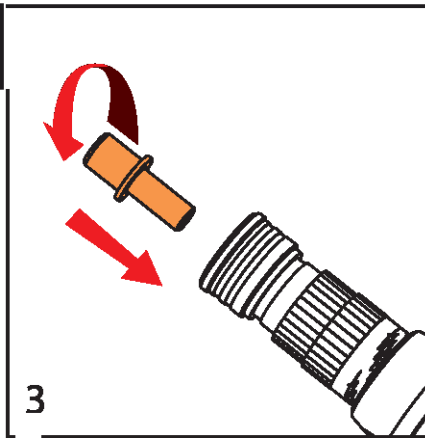
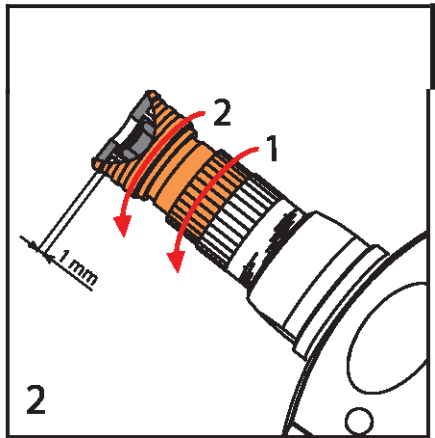
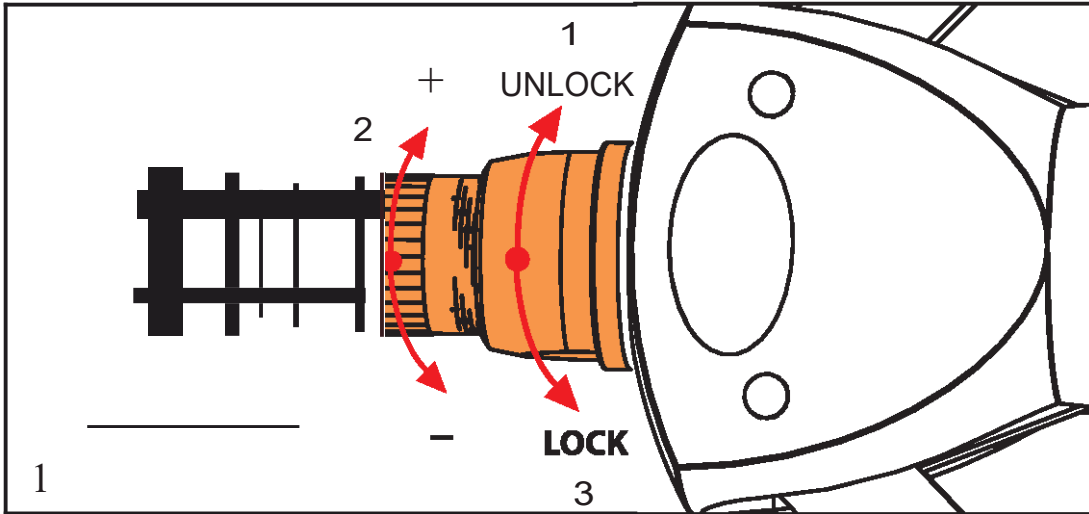




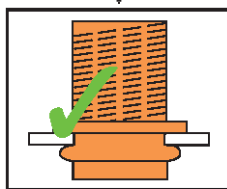


+

OK



+



OK

